

Brackets Mounting and Hanging Bands

Performance

SMS brackets are designed to support the weight of the silencer. Mounting bands are for use when support is needed below the silencer whereas Hanging bands are required when support is needed above the silencer. All brackets are manufactured from mild steel Stainless steel is available upon request.

Selecting The Right Bracket

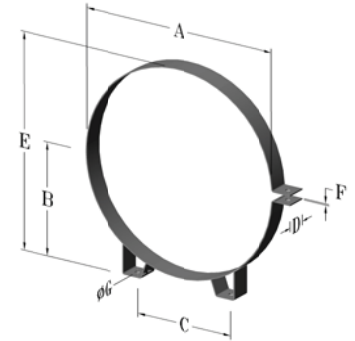
When selecting the right bracket for any application consideration must be given to the outside diameter (OD) of the silencer. Match the OD of the silencer with the size of the bracket (A)

Mounting Band

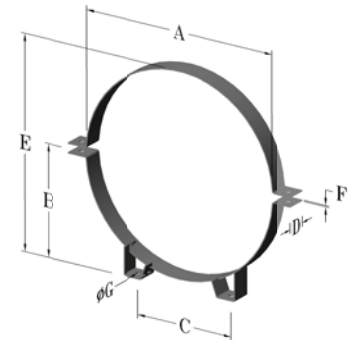
Model	A		B		C		D		E		F		G		Weight.	
	in	(mm)	in	(mm)	in	(mm)	in	(mm)	in	(mm)	gauge	(mm)	in	Lb	(Kg)	
SM-MB-6	6	(152)	4	(102)	3 1/2	(89)	1	(25.4)	7	(178)	14	(1.9)	5/16	1	(1)	
SM-MB-7	7	(178)	5	(127)	4 1/2	(114)	1	(25.4)	8 1/2	(216)	14	(1.9)	5/16	1	(1)	
SM-MB-8	8	(203)	5	(127)	4 1/2	(114)	1	(25.4)	9	(229)	10	(3.4)	5/16	2	(1)	
SM-MB-9	9	(229)	6	(152)	5	(127)	1	(25.4)	10 1/2	(267)	10	(3.4)	5/16	3	(1)	
SM-MB-10	10	(254)	6	(152)	5	(127)	1	(25.4)	11	(279)	10	(3.4)	5/16	2	(1)	
SM-MB-12	12	(305)	7	(178)	6 1/2	(165)	2	(50.8)	13	(330)	10	(3.4)	1/2	5	(2)	
SM-MB-14	14	(356)	8	(203)	7 1/2	(191)	2	(50.8)	15	(381)	10	(3.4)	1/2	6	(3)	
SM-MB-16	16	(406)	10	(254)	9	(229)	2	(50.8)	18	(457)	10	(3.4)	1/2	7	(3)	
SM-MB-18	18	(457)	11	(279)	10	(254)	2	(50.8)	20	(508)	10	(3.4)	1/2	8	(4)	
SM-MB-22	22	(559)	13	(330)	12	(305)	3	(76.2)	24	(610)	1/4	(6.4)	3/4	24	(11)	
SM-MB-26	26	(660)	15	(381)	13 1/2	(343)	3	(76.2)	28	(711)	1/4	(6.4)	3/4	27	(12)	
SM-MB-30	30	(762)	17	(432)	15 1/2	(394)	3	(76.2)	32	(813)	1/4	(6.4)	3/4	30	(14)	
SM-MB-36	36	(914)	20	(508)	18	(457)	4	(101.6)	38	(965)	1/4	(6.4)	1	46	(21)	
SM-MB-40	40	(1016)	22	(559)	20	(508)	4	(101.6)	42	(1067)	1/4	(6.4)	1	50	(23)	
SM-MB-45	45	(1143)	25	(635)	22 1/2	(572)	4	(101.6)	47 1/2	(1207)	1/4	(6.4)	1	56	(25)	

For diameter sizes 6" to 16" use type A brackets and for sizes 18" to 45" use type B brackets.

Type A



Type B



Hanging Band

Model	A		B		C		D		E		F		G		Weight.	
	in	(mm)	in	(mm)	in	(mm)	in	(mm)	in	(mm)	in	(mm)	in	Lb	(Kg)	
SM-HB-6	6	(152)	5	(127)	7	(178)	1	(25.4)	8	(203)	14	(1.9)	5/16	1	(1)	
SM-HB-7	7	(178)	5 1/2	(140)	8	(203)	1	(25.4)	9	(229)	14	(1.9)	5/16	1	(1)	
SM-HB-8	8	(203)	6	(152)	9	(229)	1	(25.4)	10	(254)	10	(3.4)	5/16	2	(1)	
SM-HB-9	9	(229)	6 1/2	(165)	10	(254)	1	(25.4)	11	(279)	10	(3.4)	5/16	2	(1)	
SM-HB-10	10	(254)	7	(178)	11	(279)	1	(25.4)	12	(305)	10	(3.4)	5/16	2	(1)	
SM-HB-12	12	(305)	8	(203)	14	(356)	2	(50.8)	14	(356)	10	(3.4)	1/2	5	(2)	
SM-HB-14	14	(356)	9	(229)	16	(406)	2	(50.8)	16	(406)	10	(3.4)	1/2	5	(2)	
SM-HB-16	16	(406)	11	(279)	18	(457)	2	(50.8)	19	(483)	10	(3.4)	1/2	6	(3)	
SM-HB-18	18	(457)	12	(305)	20	(508)	2	(50.8)	21	(533)	10	(3.4)	1/2	7	(3)	
SM-HB-22	22	(559)	14	(356)	25	(635)	3	(76.2)	25	(635)	1/4	(6.4)	3/4	21	(10)	
SM-HB-26	26	(660)	16	(406)	29	(737)	3	(76.2)	29	(737)	1/4	(6.4)	3/4	25	(11)	
SM-HB-30	30	(762)	18	(457)	33	(838)	3	(76.2)	33	(838)	1/4	(6.4)	3/4	28	(13)	
SM-HB-36	36	(914)	21	(533)	40	(1016)	4	(101.6)	39	(991)	1/4	(6.4)	1	44	(20)	
SM-HB-40	40	(1016)	23	(584)	44	(1118)	4	(101.6)	43	(1092)	1/4	(6.4)	1	48	(22)	

